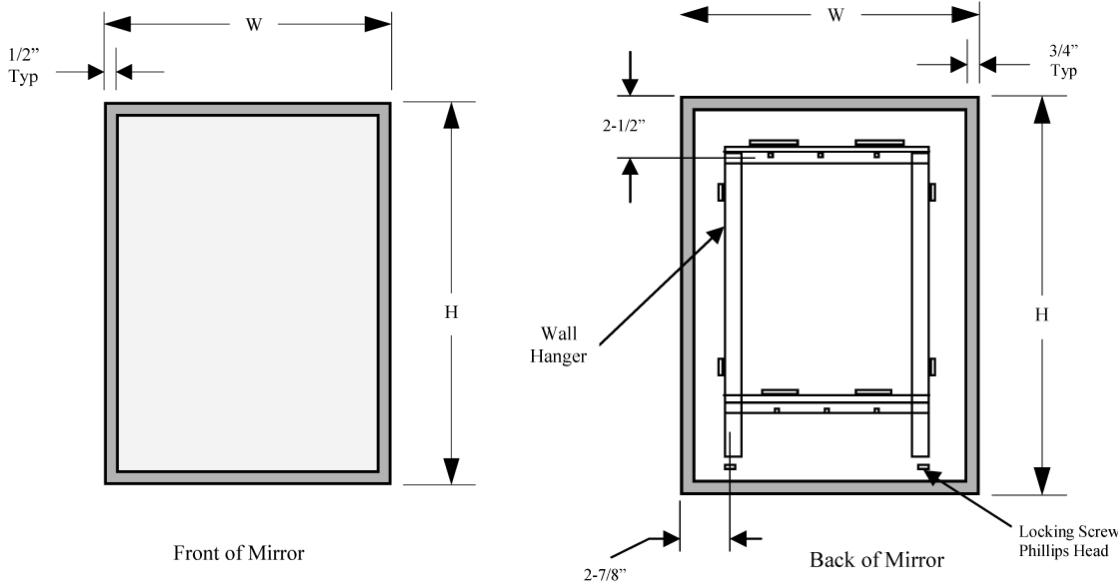




## Technical Data Sheet M60 Series Mirror

### Standard Size Mirrors



Overall Size W H
16" x 20" (41 x 51 cm)
16" x 24" (41 x 61 cm)
18" x 24" (46 x 61 cm)
18" x 30" (46 x 76 cm)
18" x 36" (46 x 91 cm)
18" x 60" (46 x 152 cm)
24" x 30" (61 x 76 cm)
24" x 36" (61 x 91 cm)
24" x 48" (61 x 122 cm)
24" x 60" (61 x 152 cm)
30" x 36" (76 x 91 cm)
36" x 36" (91 x 91 cm)
48" x 36" (122 x 91 cm)
60" x 36" (152 x 91 cm)
72" x 36" (183 x 91 cm)

### MATERIALS:

**Frame** - Stainless Steel, 1/2" X 1/2" X 1/2" (13 x 13 x 13 mm) channel with polished finish. One-piece frame with 90° mitered corners. Galvanized Steel back with formed edges has horizontal mounting brackets located near top and bottom for hanging mirror. Locking devices secure mirror to concealed wall hanger. Concealed Philips-head locking screws securely fasten mirror to wall hanger.

**Mirror** - No. 1 quality, 1/4" (0.6 mm) Float Glass selected for silvering, electrolytically copper-plated, guaranteed 10 years against silver spoilage. All edges protected by shock absorbing filler strips; back is protected by full shock-absorbing, water-resistant, non-abrasive 1/8" thick polystyrene padding.

**Concealed Wall Hanger** - 20 gauge (0.9 mm) prime galvanized steel.

### INSTALLATION:

Surface mounted, locks to concealed wall hanger. Wall hanger to be secured to wall at points across horizontal strap of hanger with screws furnished by Faries-McMeekan. For plaster or drywall on studs, provide concealed backing; backing must comply with local building codes. Hang mirror on wall hanger. Lock mirror to wall hanger by tightening Philips head locking screws in bottom of frame.

### SPECIFICATION:

Mirror shall be framed with one-piece Stainless Steel roll formed channel, 1/2" x 1/2" x 1/2" (13 x 13 x 13 mm), with 90° mitered corners. All exposed surfaces shall have polished finish. Float glass mirror shall be guaranteed 10 years against silver spoilage and all edges protected by shock absorbing, water resistant, non-abrasive 1/8" thick polystyrene padding. Galvanized steel back shall have integral horizontal hanging brackets located near the top and bottom. Mirror shall be secured to hanger with concealed Philips head locking screws in bottom of frame.

**Framed Mirror shall be model M60 \_\_\_\_\_ (insert width and height) of Faries-McMeekan, Inc., Elkhart, Indiana.**

*Note - Mirrors larger than 36" wide or 24" in height are supplied with wall hanger that include a welded lower support brace.*

### Special Notes:

1. Other sizes available as special order.
2. All Faries-McMeekan framed mirrors are made to overall width & height.
3. Faries-McMeekan mirrors are manufactured to a  $\pm$  tolerance of 1/8" (3.2 mm).
4. To specify special sizes use Series number and width then height in inches. Ex. M60 1824
5. Provide 1" minimum clearance at bottom of mirror for engaging locking screws.