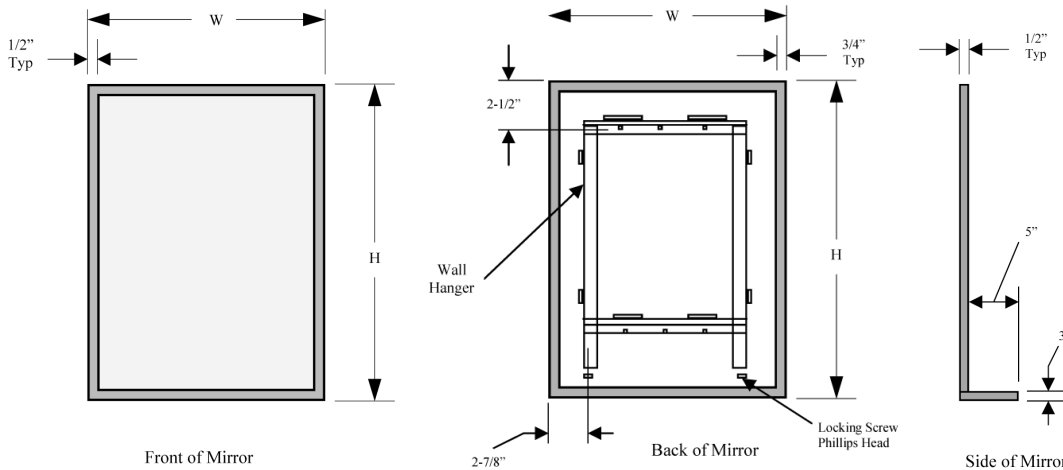




## Technical Data Sheet - M92 Series Mirror with Shelf

Special sizes and alternate reflective surfaces are available. Consult Special Surfaces Technical Data Sheet for options



### Standard Size Mirrors

OVERALL SIZE W x H
16" x 24" (41 x 61 cm)
18" x 24" (46 x 61 cm)
18" x 30" (46 x 76 cm)
18" x 36" (46 x 91 cm)
24" x 30" (61 x 76 cm)
24" x 36" (61 x 91 cm)

### MATERIALS:

**Frame** - 18-8 S, type 304, heavy-gauge stainless steel, 3/4" x 3/4" (19 x 19 mm) with vertical grain satin finish. One-piece roll-formed frame forms continuous integral stiffener on all sides. Bevel design on front holds frame tightly against mirror. Corners are welded, ground and polished smooth. Galvanized steel back is secured to frame with concealed screws, and includes integral horizontal hanging brackets near the top and bottom of mirror for hanging on wall, and to prevent mirror from pulling away from wall. Locking devices secure mirror to concealed wall hanger with concealed Phillips-head locking screw.

**Shelf** - 18-8 S, type 304, 22 gauge (0.8 mm) stainless steel with satin finish, 3/4" (19 mm) return edges on front and sides. Front return edge hemmed for additional strength and safety. Front corners of shelf are welded, ground, and polished smooth. Shelves over 36" (915 mm) long are constructed of 18 gauge (1.2 mm) stainless steel. Shelf is welded to mirror frame and reinforced by concealed 16 gauge (1.6 mm) stainless steel brackets. No exposed rivet heads, screws, or fasteners of any type on frame or shelf.

**Mirror** - No. 1 quality, 1/4" Float Glass selected for silvering, electrolytically copper-plated, guaranteed 15 years against silver spoilage. All edges protected by shock absorbing filler strips; back is protected by full shock-absorbing, water-resistant, non-abrasive 1/8" thick polystyrene padding.

**Concealed Wall Hanger** - 20 gauge (.9 mm) prime galvanized steel

### INSTALLATION:

Surface mounted, locks to concealed wall hanger. Wall hanger to be secured to wall at points across horizontal strap of hanger with screws furnished by Faries-McMeekan. For plaster or drywall on studs, provide concealed backing; backing must comply with local building codes. Hang mirror on wall hanger. Lock mirror to wall hanger by tightening Philips head locking screws in bottom of frame.

### SPECIFICATION:

Mirror shall be framed with one-piece 304 Stainless Steel roll formed channel, 3/4" x 3/4" (19 x 19 mm), with continuous integral stiffener on all sides and beveled front to hold frame tightly against mirror; corners are welded, ground and polished smooth; all exposed surfaces have satin finish with vertical grain. Shelf is constructed of type 304 stainless steel with satin finish; shelves up to 36" (915 mm) long are constructed of 18 gauge (1.2 mm) stainless steel. Shelf is welded to mirror frame and reinforced by concealed 16 gauge (1.6 mm) stainless steel brackets. No exposed rivet heads, screws, or fastener of any type on frame or shelf. Reflective surfaces shall be guaranteed 15 years against silver spoilage and all edges protected by shock absorbing, water resistant, non-abrasive 1/8" thick polystyrene padding. Galvanized steel back shall have integral horizontal hanging brackets located near the top and bottom. Mirror shall be secured to hanger with concealed Philips head locking screws in bottom of frame.

**Framed Mirror shall be model M92 \_\_\_\_\_ (insert width and height) of Faries-McMeekan, Inc., Elkhart, Indiana.**

### Special Notes:

1. Other sizes available as special order.
2. All Faries-McMeekan framed mirrors are made to overall width & height.
3. Faries-McMeekan mirrors are manufactured to a ± tolerance of 1/8" (3.2 mm).
4. To specify special sizes use Series number and width then height in inches. Ex. M92 1824
5. Provide 1" minimum clearance at bottom of mirror for engaging locking screws

Illustrations and descriptions herein are applicable to production as of the date of the Technical Data Sheet.

The manufacturer reserves the right to and does from time to time make changes and improvements in designs and dimensions.